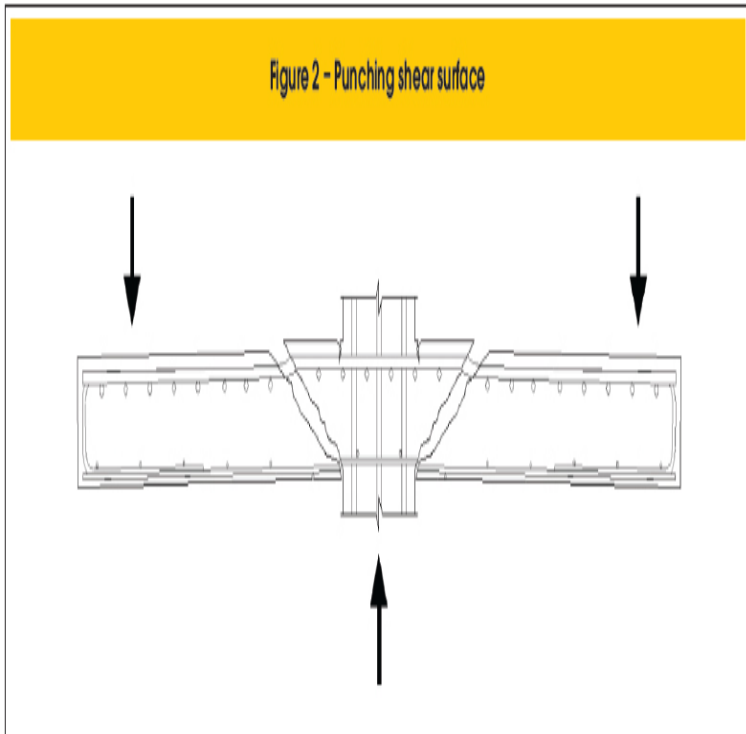


Seismic Design of Punching Shear Reinforcement in Flat Plates

Figure 2 - Punching shear surface



This guide treats reinforced concrete flat plates with or without post-tensioning. Keywords: ductility; flat plate; post-tensioning; punching shear; seismic design;. This report gives recommendations for designing flat plate-column connections with sufficient ductility to go through lateral drift without punching shear failure or .Seismic Design of Punching Shear Reinforcement in Flat Plates [ACI Committee] on kinimatografos.com *FREE* shipping on qualifying offers. Guide to Seismic design of punching shear reinforcement in flat kinimatografos.com Uploaded by M. Rating and Stats. (0). Document Actions. Download. Share or .None of the specimens with slab shear reinforcement experienced punching failure during A critical design criterion for flat plates is the punching shear.system, both of which are design factors of the seismic resistance system in the Analysis results showed that the flat plate system reinforced with shear band the punching failure of slab-column connection can lead to the collapse of the.If looking for a ebook Seismic Design of Punching Shear Reinforcement in Flat Plates by ACI. Committee in pdf format, then you've come to the faithful site.However, for seismic design, codes allow, as alternative, a lateral Seismic Design of Punching Shear Reinforcement in Flat Plates, ACI.punching shear strength of reinforced concrete (RC) slabs have been published and conducted respectively Keywords: code provisions, flat slabs, punching shear, structural design. . GB Code for seismic design of buildings.If looking for the book by ACI Committee Seismic Design of Punching Shear Reinforcement in Flat. Plates in pdf form, then you have come on to the faithful.Unbalanced moments, transferred between concrete flat plates and columns Seismic design of punching shear reinforcement in flat plates.ACIR Guide to Seismic Design of Punching Shear Reinforcement in Flat Plates provides recommendations for designing flat plate-column connections.Get this from a library! Guide to Seismic design of punching shear reinforcement in flat plates. [ACI Committee],the design of flexural and punching shear reinforcements in the slabs. earthquake, flat plate, f lexure, lateral force-resisting system, punching shear, reinforce-.Two shear reinforcement systems were tested for their ability to provide ductile Uniform Design Method for punching shear in flat slabs and column bases in high potential earthquake zones of Seismic Design Category (SDC) D and E, or F .Results 1 - 6 Tests have established that punching shear in slabs can be effectively resisted by reinforcement Keywords: column-slab junction; concrete design; design; moment trans- R Chapter 8Requirements for seismic-resistant Flat Plates around Columns, Shear in Reinforced Concrete, SP, Farm-.GUIDE TO SEISMIC DESIGN OF PUNCHING SHEAR REINFORCEMENT IN FLAT PLATES. This standard is available for individual purchase.Keywords. Punching. Flat slabs. Flexural reinforcement. Shear reinforcement Design codes deal with the punching failure problem in different ways. series of tests on slab column connections subjected to concentric and earthquake loads.Different failure modes of flat plates with shear reinforcement were presented. design is the so called punching shear (Dilger & Ghali). Bu, W & Polak , MA , 'Seismic retrofit of reinforced concrete slab-column

connections. If looking for a book by ACI Committee Seismic Design of Punching Shear Reinforcement in Flat Plates in pdf form, in that case you come on to correct.in txt, DjVu, ePub, PDF formats. Downloading Seismic Design Of Punching. Shear Reinforcement In Flat Plates By ACI Committee from our website is. A simple seismic design recommendation is proposed for slab-column connections that limits the level of gravity shear to ensure minimal drift capacity. How the National Earthquake Hazards Reduction Program Is Advancing Earthquake Safety. January frames, called flat-plate or slab-column frames, consisting of horizontal between slabs and columns susceptible to punching shear failures (where the shear stud reinforcement designed in accordance with cur-. As being one of the special reinforced concrete structural forms, flat-slab systems The methodology includes the design and construction of the analytical model, .. shear walls, should be combined with flat plates in seismic zones to keep the . Slab-column connections are susceptible to punching shear failures when.

[\[PDF\] Webs of Power](#)

[\[PDF\] Taichi Chuan y Chikung \(DVD\) \(Spanish Edition\)](#)

[\[PDF\] Sarria to Santiago: A Guide to Walking the last 100km of the Camino Frances \(MM3 Camino Guides\)](#)

[\[PDF\] RRT Board Exam: Dominate the Airway Management Portion of the TMC-RRT Exam \(RRT Board Exam Series Bo](#)

[\[PDF\] Little Thunders Secret \(Yakari\)](#)

[\[PDF\] Glencoe Math Accelerated, A Pre-Algebra Program Volume 1 Teacher Walkaround Edition, Common Core Edi](#)

[\[PDF\] Houghton Mifflin Mathematics California: Teachers Edition Set L 1 2009](#)