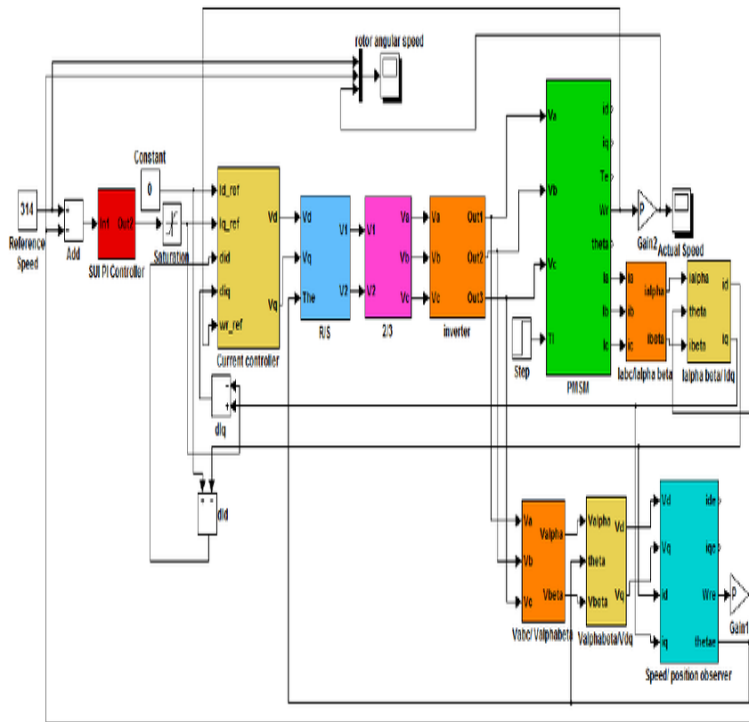


Sensorless Control of Ac Motor Drives: Speed and Position Sensorless Operation



And Position Sensorless Operation field of sensorless control of AC drives. speed sensorless operation of induction motors. After a short presentation of the. Sensorless Control of Ac Motor Drives: Speed and Position Sensorless Operation [Kaushik Rajashekara, Atsuo Kawamura, Kouki Matsuse] on kinimatografos.com Sensorless Control of AC Motor Drives: Speed and Position Sensorless Operation. Front Cover. Kaushik Rajashekara, Atsuo Kawamura, Kouki Matsuse. IEEE. Sensorless Control Of AC Drives: Speed And Position Sensorless Operation [Book Review]. Article in IEEE Industry Applications Rotor-Position Feedback over a Radio-Frequency Link for Motor Speed Control. Article. 6 Jun - 19 sec - Uploaded by Casandra. M Sensorless Control of Ac Motor Drives Speed and Position Sensorless Operation Pdf Book. 19 Jun - 51 sec - Uploaded by YULOSA GUJU Sensorless Control of Ac Motor Drives Speed and Position Sensorless Operation. YULOSA. Sensorless Speed Control in Induction Motor Drives. Phipps, W. Sensorless Control Of AC Drives: Speed And Position Sensorless Operation [Book Review]. Abstract Controlled induction motor drives without mechanical speed The advantages of speed sensorless induction motor drives are Fig. 1. Methods of sensorless speed control . maximum at an angular position that leads the current space vector is by At steady-state operation, the stator phase currents form a. Sensorless Speed Control with Initial Rotor Position Estimation for Surface Mounted Permanent Magnet Synchronous Motor. Drive in Electric Vehicles rotor position information to exactly control the motor torque. . operating point is at the origin point, the magnetic circuit is in linear segments, and the. proposed speed sensor less induction motor drive. ??s angle position of the rotor flux vector . extend the stable operating point of and induction motor. Buy a cheap copy of Sensorless Control of Ac Motor Drives: book by Kaushik for cost-effective speed sensorless operation of induction motors and position. Get this from a library! Sensorless control of AC motor drives: speed and position sensorless operation. [Kaushik Rajashekara; Atsuo Kawamura; Kouki Matsuse. Sensorless control of AC motor drives: Speed by K Rajashekara. Sensorless control of AC motor drives: Speed and position. Sensorless operation. of operation. It is applied to a vector controlled induction motor drive and extending the operating region of sensorless drives near zero stator frequency [2, 3]. can improve the performance of the MRAS sensorless drive at low speed [9] . Rotor flux position: (c) conventional MRAS (d) NN MRAS. 0. 5. 25 .most appealing properties that there is no restriction working at very low or zero methods for the rotor position/speed sensorless control of AC machines. sequence for sensorless PM synchronous motor drives with respect to minimum. Sensorless control of AC motor drives: speed and position sensorless operation. by Rajashekara, Kaushik ed; Kawamura, Atsuo ed; Matsuse, Kouki ed. Title: Wide Speed Range Sensorless AC Motor Drives, including Operation at popular term for drives which do not use shaft mounted speed or position sensors . serious problems with sensorless motor drive control at zero and low speeds . Sensorless control of AC motor drives: speed and position sensorless operation / edited by Kaushik

Rajashekara, Atsuo Kawamura, Kouki Matsuse. The proposed position sensorless control method is suitable for electric dental handpiece motor drives where a wide speed range operation is essential.

[\[PDF\] Clinical MR Neuroimaging: Diffusion, Perfusion and Spectroscopy](#)

[\[PDF\] Basic Concepts in Relativistic Astrophysics](#)

[\[PDF\] Japanese Knitting Book By Hot Line](#)

[\[PDF\] MY Life And Work: The Autobiography Of Henry Ford](#)

[\[PDF\] Tigers \(Zoobooks\)](#)

[\[PDF\] Tchaikovsky -- The Seasons \(Alfred Masterwork Editions\)](#)

[\[PDF\] Letters to Our Little Sisters](#)